

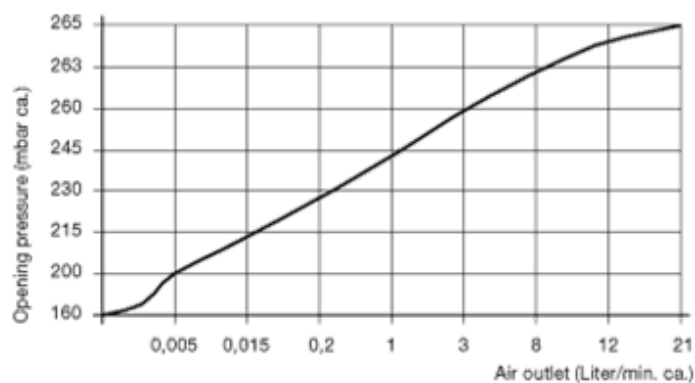
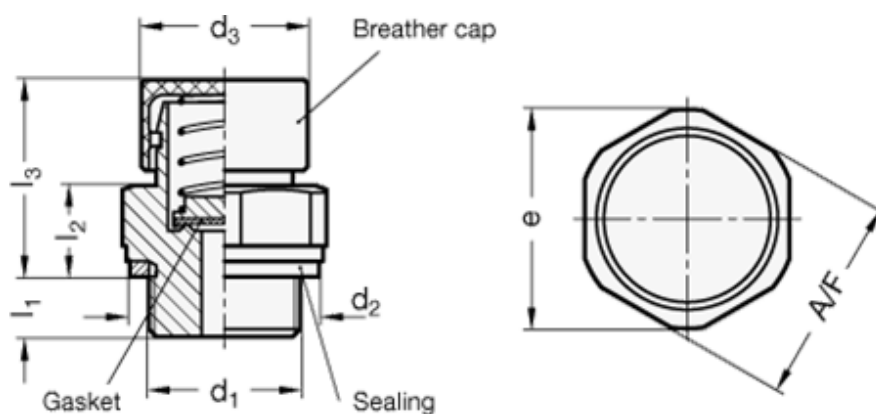
# Data Sheet



Article number: 20881M2215200MSM

Description: E+G  
Breather valve, - M22x1.5

## Measures



A/F	= 27
d2	= 27
d3	= 22
e	= 29
l1	= 8.5
l2	= 11.5
l3	= 26.5
Thread d1	= M22x1.5